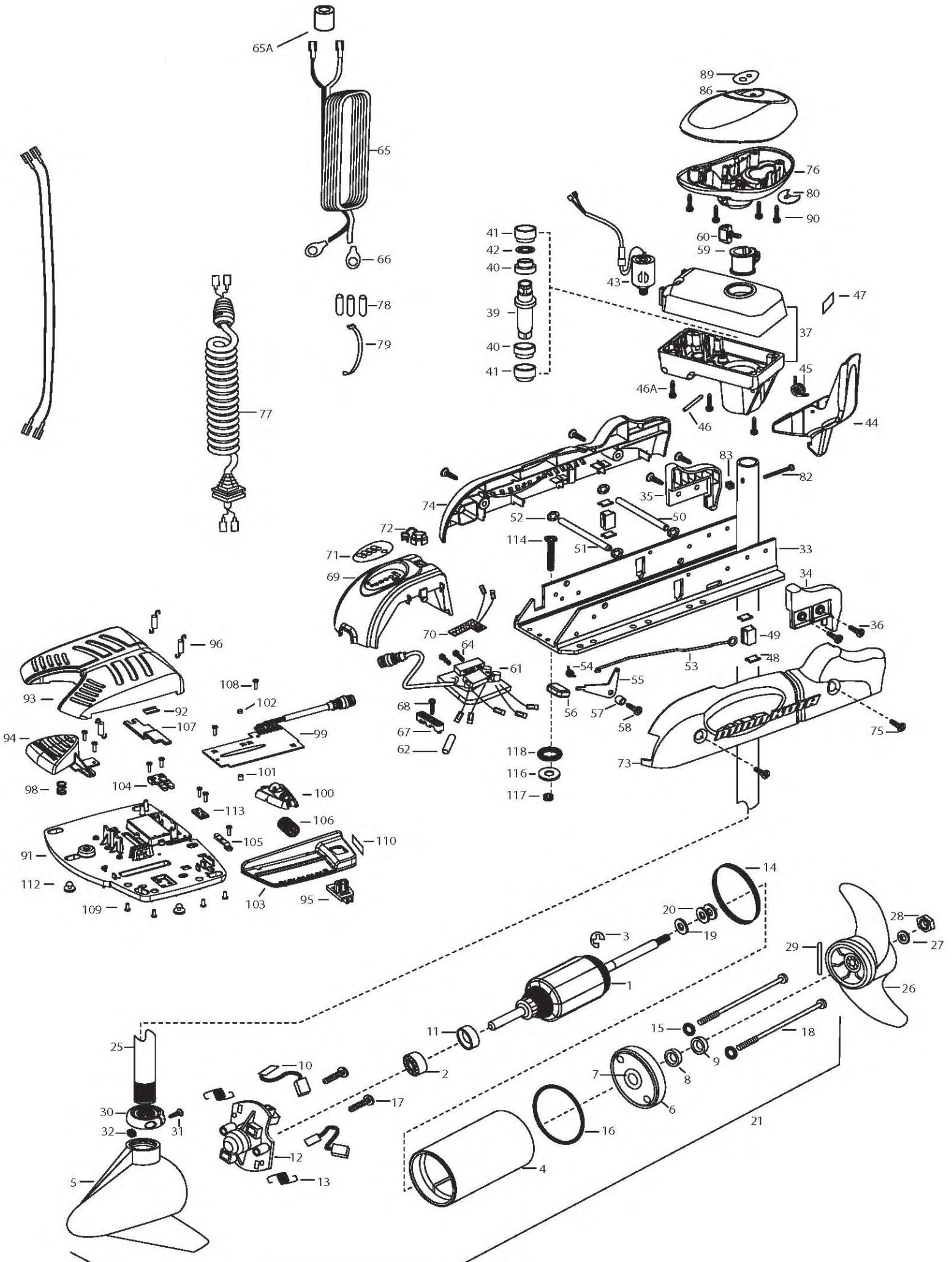


42PD V2
42 LBS THRUST
12 VOLT 42 AMPS
54" SHAFT

for use with "AI" serial numbers
3-year warranty from the date of purchase



1	2-100-201	ARMATURE ASSEMBLY 12V VARS TXT	43	2307050	MOTOR- DRIVE HOUSING HIGH SPD	2224700	INSERT- PLUG US2
2	140-010	BALL BEARING	44	2307201	LATCH HANDLE PD/AP		
3	788-015	RETAINING RING	45	2302750	SPRING- LATCH TORSION PD/AP	82	2033400 SCREW-10-24 X 1-3/4 PPH Z/P
4	2-200-079	HOUSING ASSEMBLY CENTER 3.25 TXT	46	2302627	PIN- ROLL ZINC	83	2013110 NUT-HEX 10-24 ZCP
5	421-132	HOUSING BRUSH END 3.25 TXT	46A	2303407	SCREW - DRIVE HOUSING [6 EA]	86	2300237 CONTROL BOX COVER- POWERDRIVE
6	2-400-187	PLAIN END HOUSING ASSEMBLY 3.25	47	2305564	DECAL-STOW/DEPLOY	89	2315691 DECAL- COVER 42PD
7	144-049	BEARING - FLANGE (SERVICE ONLY)	48	2305110	PAD-PIVOT SUPT [4.EA]	90	2012100 SCREW-8-18 X 5/8 THD CUT [4.EA]
8	880-003	SEAL	49	2305103	PIVOT PAD- NEW MTR'L [2.EA]	■	2994725 FOOT PEDAL ASSEMBLY
9	880-006	SEAL WITH SHIELD	50	2300500	PIN-LATCH	91	2304505 FOOT PEDAL BASE
10	188-052	BRUSH ASSEMBLY [2.EA]	51	2300510	PIN-PIVOT	92	2308501 WEAR PLATE FOOT PDL
12	738-030	BRUSH PLATE W/HOLDER	52	2013100	NUT-SPEED [4.EA]	93	2300255 FOOT PEDAL, CORDED UPPER
13	975-032	SPRING - COMPRESSION [2.EA]	53	2303612	ROD-RELEASE RT/AP S	94	2303723 BUTTON, MOMENTARY
14	701-041	O-RING	54	2322700	SPRING-RELEASE LEVER	95	2303722 BUTTON, MOM/CON
15	701-007	O-RING, THRU-BOLT [2.EA]	55	2303710	LEVER-RELEASE	96	2302730 SPRING-LONG-UPPER PEDAL [3.EA]
16	701-039	O-RING	56	2300101	RELEASE-KNOB	98	2302732 SPRING-LOWER PEDAL
17	830-001	SCREW-8-32 [2.EA]	57	2301700	SPACER-RELEASE LEVER	99	2304052 CONTROL BOARD ASSEMBLY-FT PDL
18	830-078	THRU BOLT 8-32 X 8.96 [2. EA	58	2303430	SCREW-1/4-20 X 5/8	100	2308620 SLIDER, SPEED
19	990-067	WASHER- STEEL THRUST	59	2031522	COLLAR- DRIVE (W/INSERT)	101	2308409 MAGNET, 1/4 X 1/4
20	990-070	WASHER - NYLATRON [2.EA]	60	2011365	SCREW-COLLAR/NEW KNOB	102	2308408 MAGNET, 1/4 X 1/8
21	2068253	MOTOR ASSEMBLY 12V 3.25 48"	61	2304055	CONTROL BOARD ASSEMBLY- 12V PD	103	2300252 COVER, SPEED SELECTOR
25	2032076	TUBE-CARBON COMPOSITE 54"	62	2355410	SHRINK TUBE-3/8 ODX2	104	2308606 SWITCH, DOUBLE FINGER
■	1378126	PROPELLER KIT	64	2303434	SCREW-8-32 X 5/8 [3.EA]	105	2308608 SWITCH, SINGLE FINGER
26	2061125	PROPELLER W/WEDGE	65	2266730	LEADWIRE IOGA 44" w/ plug	106	2307900 WHEEL, SPEED
27	2151726	WASHER-5/16 SS	65A	2307310	BEAD - FERRITE (CE MODELS ONLY)	107	2308625 SLIDER, STEERING
28	2053101	NUT-PROP NYLOC	66	2020700	TERMINAL RING [2.EA]	108	2302100 SCREW-6-20 X 1/2 [9.EA]
29	2092600	PIN-DRIVE	67	2321310	STRAIN RELIEF- BRACKET PD/AP	109	2372103 SCREW-6.20 X 3/8 [4.EA]
30	2301545	COLLAR- LATCH PD/AP	68	2303405	SCREW-1/4-20 X 5/8	110	2316600 DECAL, ON/OFF SWITCH
31	2303434	SCREW- 8-32X5/8 MACH PHCR	69	2306555	HOUSING- CENTER PD/AP	112	2994859 BAG ASSEMBLY- 5 RUBBER BUMPERS
32	2303112	NUT 8-32 NYLOC SS	70	2074070	BATTERY GAUGE - 12 VOLT	113	2302907 STRN RLF PD FP
33	2301934	EXTRUSION- BASE MACHINED	71	2316605	DECAL, BATTERY GAUGE	■	2994864 BAG ASSEMBLY- (BOLT,NUT,WASHERS)
34	2303930	MOTOR REST- RIGHT 3-1/4	72	2302935	STRAIN RELIEF-DR. HOUSING	*114	2263462 BOLT-MOUNTING-1/4X2 W/STG [6.EA]
35	2303935	MOTOR REST- LEFT 3-1/4	73	2303960	SIDEPLATE (RIGHT)PD MK	*116	2261713 WASHER-1/4 [6.EA]
36	2303430	SCREW 1/4-20X5/8 SELF TAP [4.EA]	74	2303965	SIDEPLATE(LEFT)PD MK	*117	2263103 NUT NYLOK 1/4-20 MTG [6.EA]
37	2771826	DRIVE HOUSING / LATCH HANDLE ASSY	75	2303430	SCREW-1/4-20 X 5/8- [4.EA]	*118	2301720 WASHER-MOUNTING RUBBER [6.EA]
■	2882011	BUSHING/ OUTSHAFT KIT (INCLUDES 39-42)	76	2302515	CONTROL BOX PD/AP		
			77	2991280	COIL CORD WSTRAIN RELIEF 48, 54"		[LEADWIRE EXTENSIONS]
*39	2302010	DRIVE HOUSING OUTPUT SHAFT		2991282	COIL CORD WSTRAIN RELIEF 60"	2030710	CONNECTOR BUT [2 EA.]
*40	2307304	BUSHING- INNER [2.EA]	78	2065400	WIRE INSULATOR-LGE 1-3/4 [3.EA]	2030317	WIRE EXTENSION 18" RED
*41	2307305	BUSHING- OUTER [2.EA]	79	2256300	TIE WRAP-5" BLACK	2030316	WIRE EXTENSION 18" BLACK
*42	2304603	O-RING	80	2224702	INSERT- PLUG	2375400	SHRINK TUBE

* This item is part of an assembly. This item cannot be sold separately due to machining and /or assembly that is required.

P/N 2314959 REV. H ECN 30910

2883460 seal & oring kit

42 PD is 12-volt only!!!

