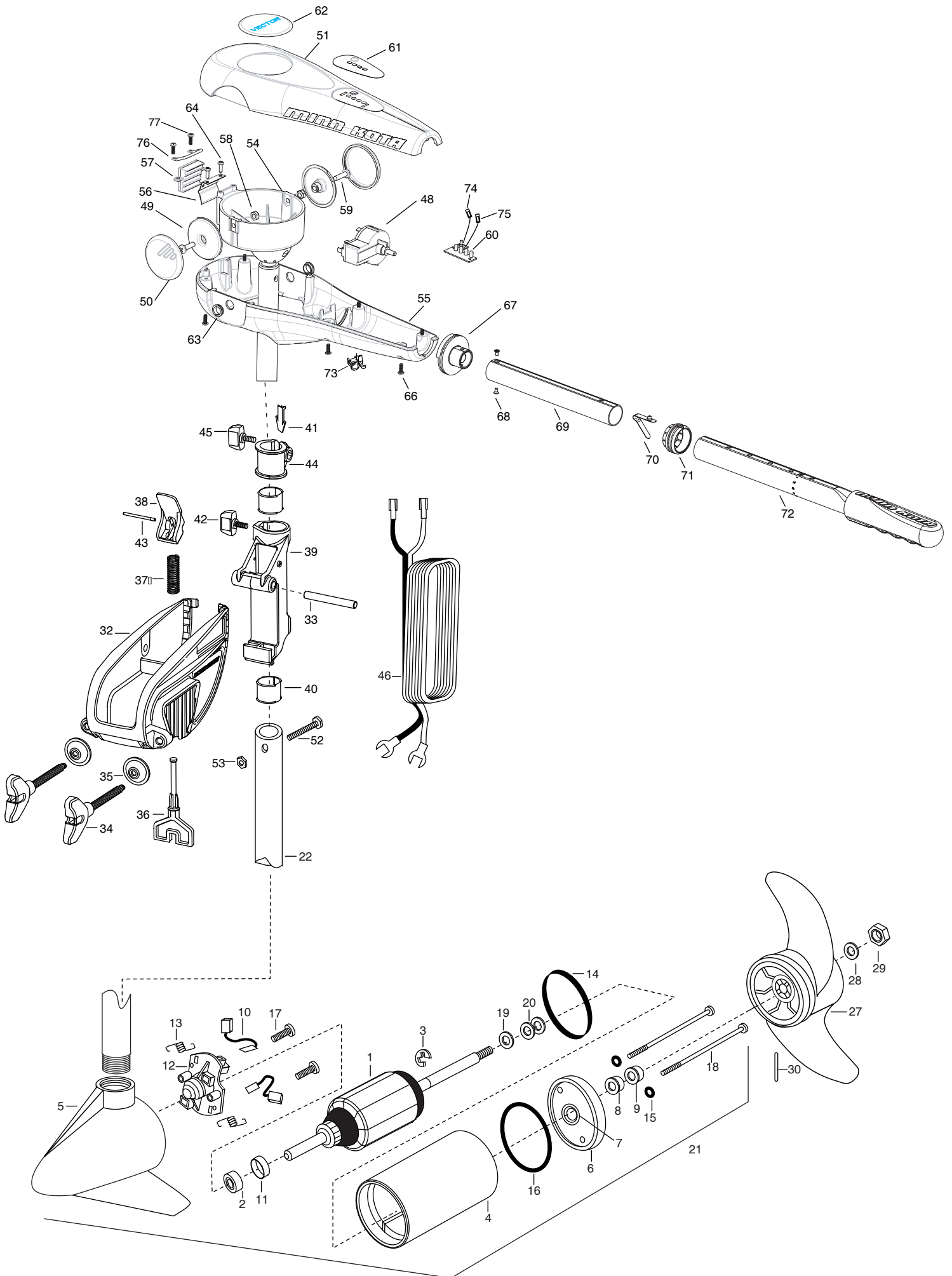


**VECTOR 40**  
**LEVER LOCK BRACKET**  
**40LBS. THRUST**  
**12 VOLT 42 AMPS**  
**36" SHAFT**

for use with "MKAF" serial numbers  
2-year warranty from the date of purchase



|     |           |   |    |          |                               |
|-----|-----------|---|----|----------|-------------------------------|
| 1   | 2-100-178 | ARMATURE ASSEMBLY 12V 3.25                                | 36 | 2063605  | T-BAR PLASTIC                 |
| 2   | 788-015   | RETAINING RING  | 37 | 2062706  | SPRING- T-BAR ENDURA          |
| 3   | 2-200-09  | CENTER HOUSING ASSEMBLY 3.25 TXT                          | 38 | 2067201  | LEVER- TILT BLACK             |
| 4   | 2-300-132 | BRUSH END HOUSING ASSEMBLY 3.25 SP.CO                     | 39 | 2061810  | HINGE-PLASTIC                 |
| 5   | 2-400-127 | HOUSING- PLAIN END ASSEMBLY                               | 40 | 2037301  | BUSHING-HINGE [2.EA]          |
| 6   | 880-003   | SEAL  | 41 | 2062800  | TENSION BLOCK- SNAP IN        |
| 7   | 880-006   | SEAL W/SHIELD   | 42 | 2011385  | SCREW-TENSION/NEW KNOB        |
| 8   | 144-050   | BEARING- SPHERICAL  | 43 | 2060515  | PIN- TILT LEVER               |
| 9   | 188-052   | BRUSH ASSEMBLY [2.EA]                                     | 44 | 2061520  | COLLAR-DEPTH ((ENDURA)        |
| 10  | 725-033   | BRUSH RETENTION- PAPER TUBE                               | 45 | 2011365  | SCREW-COLLAR W/NEW KNOB       |
| 11  | 737-031   | BRUSH PLATE W/HOLDER 3.25 ASSEMBLY<br>INCLUDES 8,11,12,13 | 46 | 2050609  | LEADWIRE 10 GA SPADE TERM     |
| 12  | 784-036   | BEARING RETAINER  | 48 | 2064023  | SWITCH - 5 SPD.               |
| 13  | 991-025   | WASHER- FELT  | 49 | 2070110  | PIVOT KNOB [2 EA.]            |
| 14  | 975-032   | SPRING- COMPRESSION                                       | 50 | 2070115  | COVER PIVOT KNOB [2 EA.]      |
| 15  | 116-020   | BALL- STEEL   | 51 | 2070211  | CONTROL BOX COVER             |
| 16  | 303-039   | THRUST DISC- METAL  | 52 | 2033401  | SCREW 10-24 X 1-3/4"          |
| 17  | 701-007   | O-RING [2.EA]   | 53 | 2013110  | NUT-HEX ZINC/CAD PLATE        |
| 18  | 701-039   | O-RING MK406460   | 54 | 2071520  | YOKE PIVOT                    |
| 19  | 701-041   | O-RING  | 55 | 2072501  | CONTROL BOX                   |
| 20  | 830-001   | SCREW- SELF THREAD 8-32X1.7 [2.EA]                        | 56 | 2072705  | SPRING DETENT                 |
| 21  | 830-078   | THRU BOLT 8-32X8.96 [2.EA]                                | 57 | 2072810  | DETENT BLOCK, TILT            |
| 22  | 990-067   | WASHER- STEEL   | 58 | 2073100  | NUT-1/4-20" NYLOC [2 EA.]     |
| 23  | 990-070   | WASHER- NYLATRON [2.EA]                                   | 59 | 2073408  | SCREW 1/4-20 [2 EA.]          |
| 24  | 144-049   | BEARING- FLANGE- SERVICE ONLY                             | 60 | 2074070  | BATTERY METER                 |
| 25  | 2069041   | MOTOR ASSEMBLY 12V 3.25 5SPC TXT                          | 61 | 2075600  | DECAL-COVER 40T VECTOR        |
| 26  | 2032052   | TUBE- COMPOSITE 36"                                       | 62 | 2075605  | DECAL-COVER PLUG              |
| ■   | 1378121   | PROP KIT  | 63 | 2077316  | BUSHING PIVOT [2 EA.]         |
| 27  | 2061125   | PROP- POWER   | 64 | 2372100  | SCREW 8-18 X 1/2" [2 EA.]     |
| 28  | 2151726   | WASHER- 5/15 STD SS                                       | 66 | 2012100  | SCREW 8-18 X 5/8" [6 EA.]     |
| 29  | 2053101   | NUT-PROP NYLOC 5/16 SS                                    | 67 | 2070407  | PIVOT HANDLE                  |
| 30  | 2092600   | PIN-DRIVE SS  | 68 | 2072102  | SCREW #6 X 1/4"               |
| ■   | 2991815   | BRACKET & HINGE ASSEMBLY RED KNOB                         | 69 | 2070425  | HANDLE TUBE                   |
| ■   | 2771910   | BRACKET W/CLAMP SCREW ASSEMBLY (INCL.32,34,35)            | 70 | 2070411  | LATCH-BUTTON                  |
| *32 | 2061910   | BRACKET PLASTIC   | 71 | 2070010  | BEARING                       |
| 33  | 2060510   | PIN-HINGE- ENDURA   | 72 | 2990941A | HANDLE ASSEMBLY-EXT.          |
| *34 | 2061300   | SCREW- CLAMP  | 73 | 2052900  | STRAIN RELIEF                 |
| *35 | 2011710   | WASHER- CLAMP SCREW 1.5OD                                 | 74 | 2070304  | WIRE BATTERY METER BLACK      |
| ■   | 2881300   | CLAMP SCREW, WASHER, RETAINER KIT                         | 75 | 2070305  | WIRE BATTERY METER RED        |
|     |           |   | 76 | 2072815  | BRACKET - TILT STOP           |
|     |           |   | 77 | 2332101  | SCREW #8-32 X 1/2" SS [2 EA.] |

