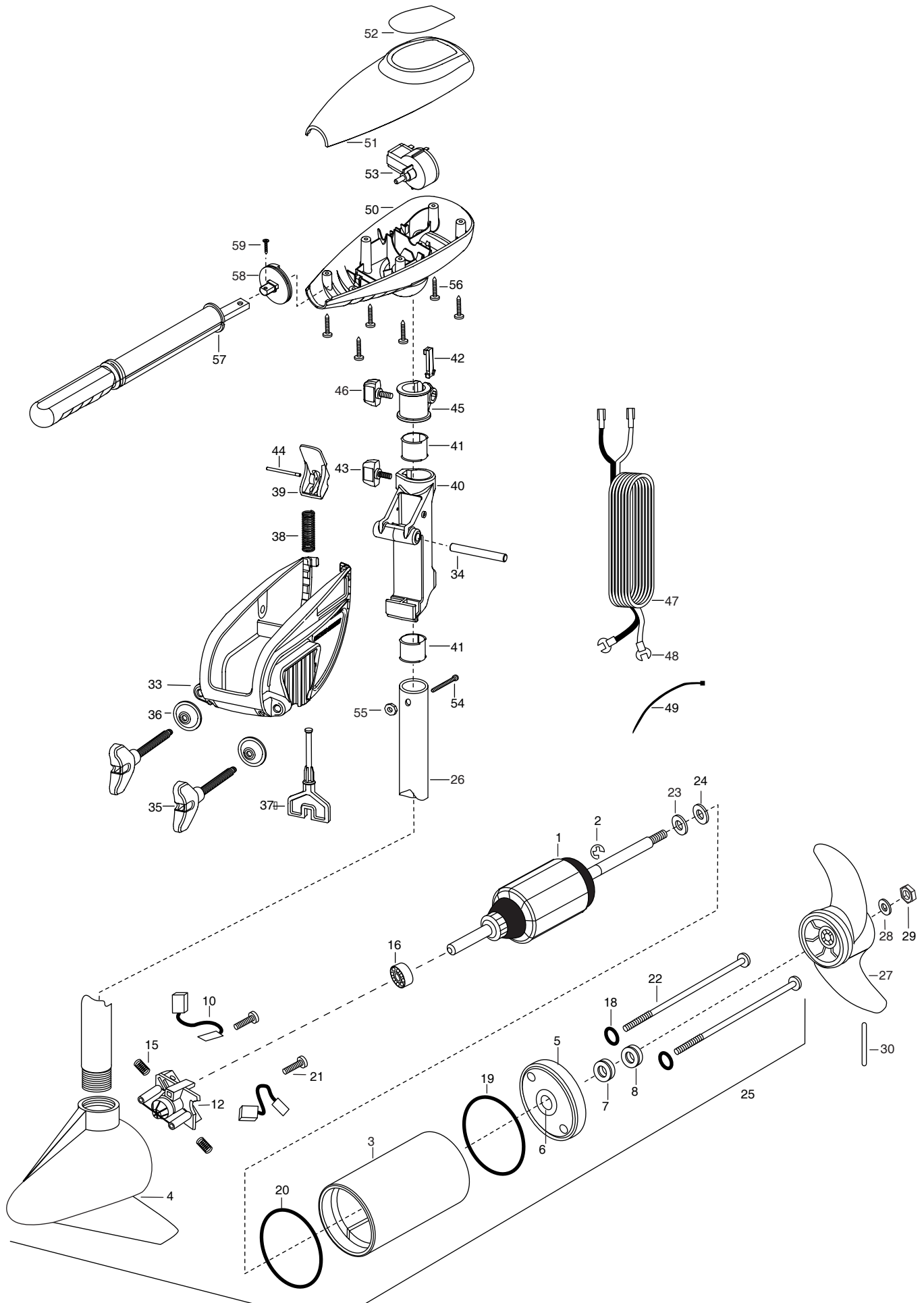


ENDURA 40
40 LBS THRUST
12 VOLT 40 AMPS
36" SHAFT

for use with "MKAF" serial numbers
2-year warranty from the date of purchase



1	2-100-278	ARMATURE ASSEMBLY 12V 3.25 FW SW 36#	*36	2011710	WASHER- CLAMP SCREW [2.EA]
2	788-015	RETAINING RING	37	2063605	T-BAR- PLASTIC
3	2-200-079	CENTER HOUSING ASSEMBLY 3.25 FW TXT	38	2062706	SPRING- T-BAR
4	2-300-132	BRUSH END HOUSING ASSEMBLY 3.25 SP CO	39	2067200	LEVER- TILT RED
5	2-400-128	HOUSING- PLAIN END PLAST	40	2061810	HINGE- PLASTIC
6	144-049	BEARING- FLANGE	41	2037301	BUSHING- HINGE [2.EA]
7	880-003	SEAL	42	2062800	TENSION BLOCK- SNAP IN
8	880-006	SEAL W/SHIELD	43	2011385	SCREW- TENSION/KNOB
10	188-052	BRUSH ASSEMBLY [2.EA]	44	2060515	PIN- TILT LEVER
12	738-030	BRUSH PLATE W/HOLDER 3.25 ASSEMBLY	45	2061520	COLLAR- DEPTH ENDURA
15	975-032	SPRING- COMPRESSION [2.EA]	46	2011365	SCREW- COLLAR/NEW KNOB
16	140-010	BEARING-BALL	47	2050609	LEADWIRE- 10 GA SPADE TERM
18	701-007	O-RING [2.EA]	48	2020702	TERMINAL- SPADE 10GA. [2.EA]
19	701-039	O-RING MK406460	49	2026300	TIE WRAP
20	701-041	O-RING	50	2062510	CONTROL BOX- ENDURA
21	830-001	SCREW- #8-32X1.75 SELF THREAD [2.EA]	51	2060214	CONTROL BOX COVER- ENDURA
22	830-078	THRU BOLT 8-32X8.96 [2.EA]	52	2065640	DECAL- COVER ENDURA 40
23	990-067	WASHER- STEEL THRUST	53	2064023	SWITCH- FWD/REV 5 SP
24	990-070	WASHER- NYLATRON [21.EA]	54	2033401	SCREW- 10-24 X 1-3/4 SHOULDER
25	2069241	MOTOR ASSEMBLY 12V 3.25 5SPC TXT	55	2013110	NUT- 10-24 HEX ZCP
26	2032046	TUBE, COMPOSITE 36"	56	2012100	SCREW- 8-18 X 5/8 THD CUT [6.EA]
■	1378121	PROP KIT	57	2990901	HANDLE ASSEMBLY 5 SPEED
27	2061121	PROPELLER 3.25 HUB DIA	58	2060405	PIVOT- HANDLE
28	2151726	WASHER- 5/16 STD SS	59	2012102	SCREW
29	2053101	NUT-PROP NYLOC			
30	2092600	PIN-DRIVE			
■	2771811	BRACKET & HINGE ASSEMBLY INCLUDES- 33—44			
■	2771910	BRACKET ASSEMBLY INCLUDES- 33,35,36			
*33	2061910	BRACKET			
34	2060510	PIN- HINGE			
■	2881300	SCREW-CLAMP, WASHER, RETAINER KIT [2.EA]			
*35	2061300	SCREW- CLAMP [2.EA]			

Seal & Oring Kit P/N 2883460 * This item is part of an assembly. This item cannot be sold separately due to machining and /or assembly that is required. P/N 2064939 REV.A 6-02

