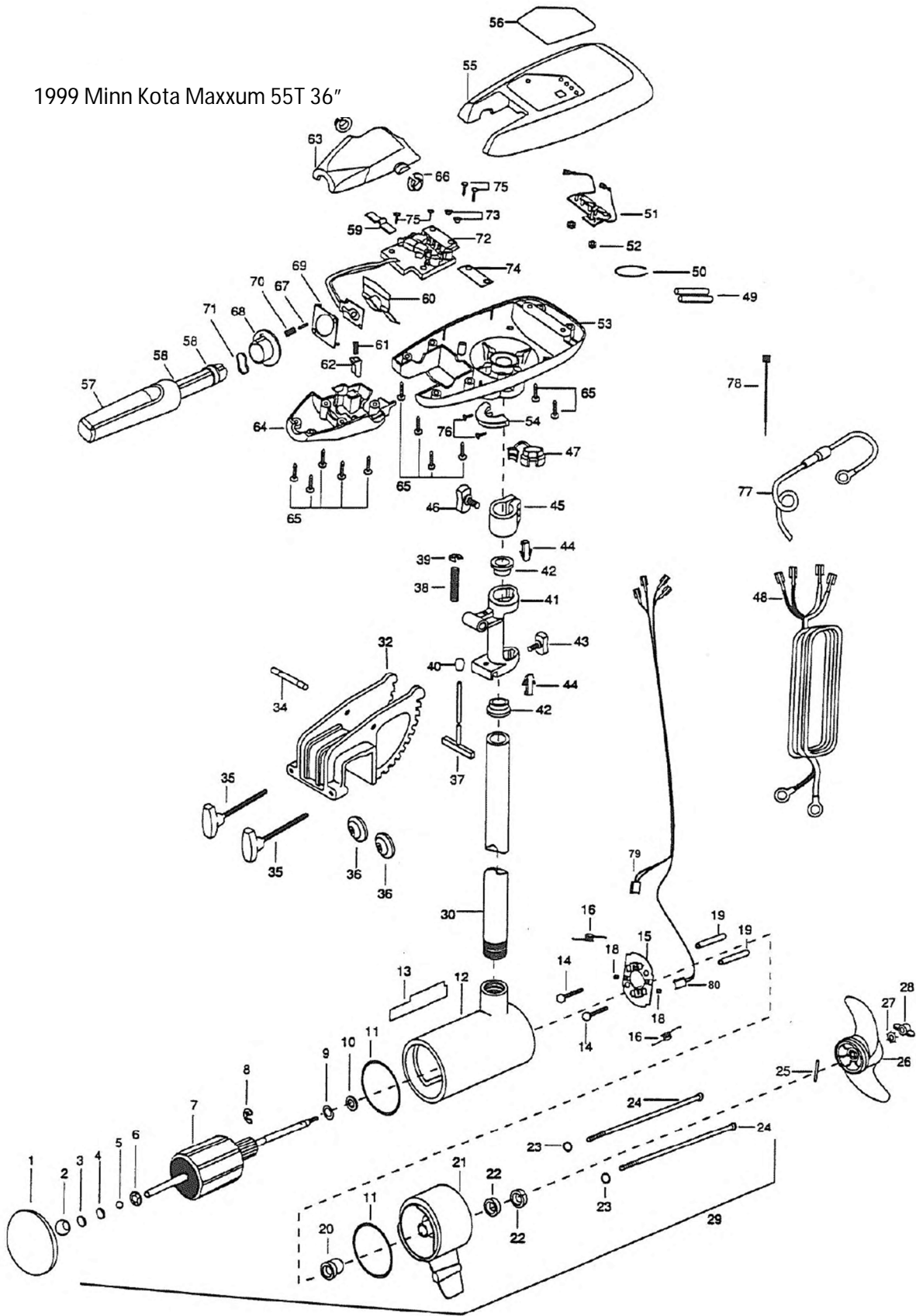


1999 Minn Kota Maxxum 55T 36"



Wiring Diagram

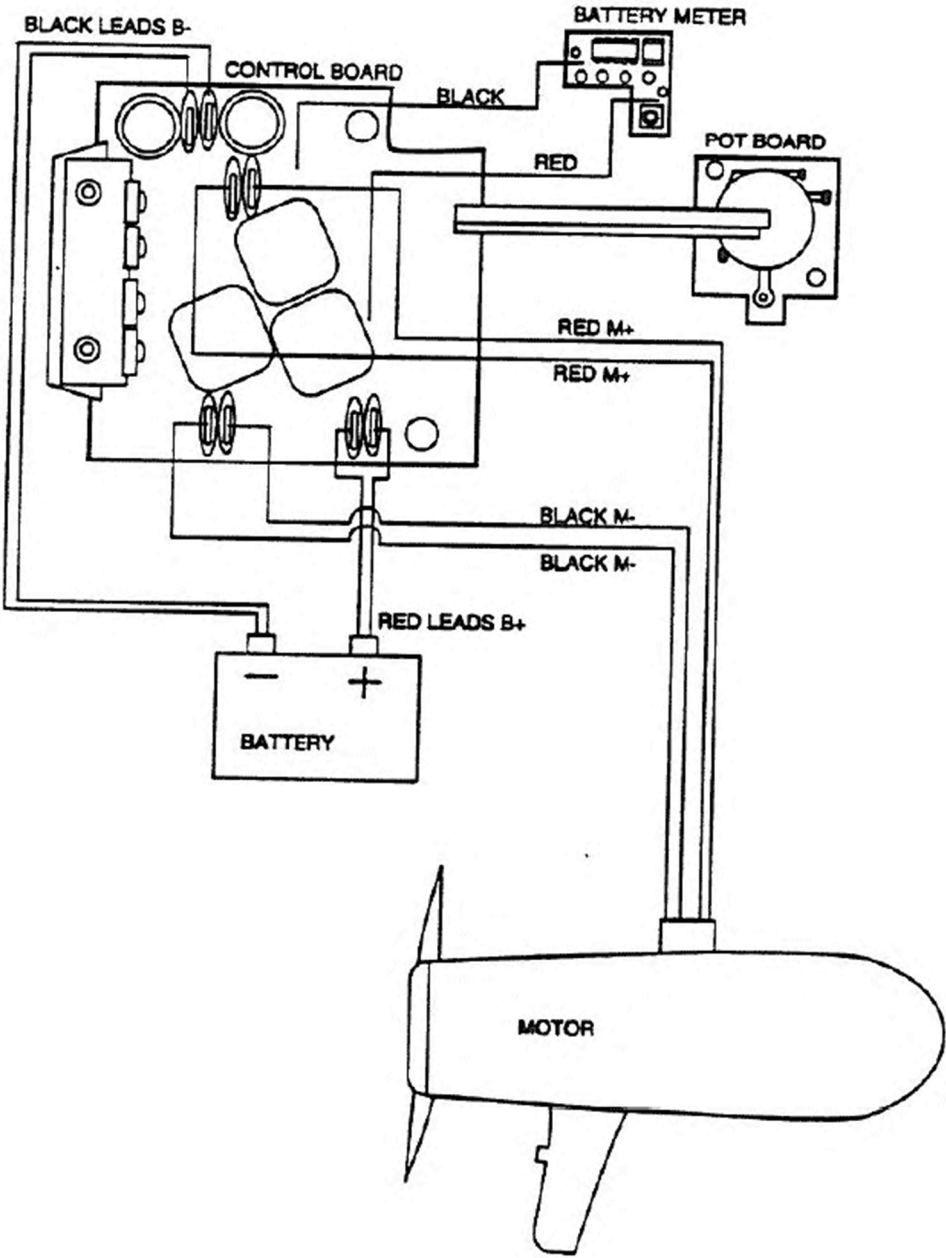


Diagram #	Product Info
1	<u>Minn Kota Trolling Motor Part Not Available</u>
2	<u>BEARING - SPHERICAL - 144-021</u>
3	<u>THRUST DISC - METAL - 303-043</u>
4	<u>THRUST DISC - METAL - 303-043</u>
5	<u>BALL - STEEL 116-025</u>
6	<u>BEARING RETAINER - 784-025</u>
7	<u>Minn Kota Trolling Motor Part Not Available</u>
8	<u>RETAINING RING - 788-040</u>
9	<u>WASHER - STEEL THRUST - 990-051</u>
10	<u>WASHER - NYLATRON - 990-052</u>
11	<u>O-RING - 701-043</u>
12	<u>CENTER HOUSING ASSY - 92-200-160</u>
13	<u>Minn Kota Trolling Motor Part Not Available</u>
14	<u>SCREW - SELF-THREAD 10-32X2.25 - 830-027</u>
15	<u>BRUSH PLATE ASSY, 4" - 409402</u>
16	<u>SPRING - TORSION - 975-041</u>
17	<u>Minn Kota Trolling Motor Part Not Available</u>
18	<u>Minn Kota Trolling Motor Part Not Available</u>
19	<u>SPACER - BRUSHPLATE - 973-025</u>
20	<u>BEARING - FLANGE - 144-017</u>
21	<u>BRUSH END HOUSING ASSY - 92-300-160</u>
22	<u>SEAL - 880-025</u>
23	<u>O-RING - 701-009</u>
24	<u>THRU BOLT 12-24 X10.31 - 830-094</u>
25	<u>PIN-DRIVE (95-4HP'S) (SS) - 2092600</u>
26	<u>Minn Kota Weedless Wedge Propeller 2331120 / MKP-8 / 1378129 / 1865007</u>
27	<u>LOCKWASHER-PROP (LARGE) - 2091700</u>
28	<u>NUT-PROP (LARGE) - 2093100</u>
29	<u>Minn Kota Trolling Motor Part Not Available</u>
30	<u>TUBE (COMPOSITE) 36 - 2032052</u>

31	<u>BRACKET & HINGE ASSY(FW) - 2771960</u>
32	<u>BRACKET, SW, WHT - 2771938</u>
33	<u>BRACKET-W/CLAMP SCREWS - 2771901</u>
34	<u>PIN-HINGE* - 2010511</u>
35	<u>SCREW-CLAMP/WASHER KIT - 2881380</u>
36	<u>WASHER-CLAMP SCREW(1.5 OD - 2011710</u>
37	<u>T-BAR (E-COAT) - 2033601</u>
38	<u>SPRING-(T-BAR) - 2012700</u>
39	<u>E-RING-(PULLEY HOUSING) 2013000</u>
40	<u>KNOB-TILT - 2010100</u>
41	<u>HINGE-MACHINED - 2031852</u>
42	<u>BUSHING-HINGE - 2037301</u>
43	<u>SCREW-TENSION/NEW KNOB - 2011385</u>
44	<u>TENSION BLOCK-"SNAP IN" - 2062800</u>
45	<u>COLLAR-DEPTH (ENDURA) - 2061520</u>
46	<u>SCREW-COLLAR/NEW KNOB - 2011365</u>
47	<u>Minn Kota Trolling Motor Part Not Available</u>
48	<u>LEADWIRE (10 GA) MAX/AT HAND - 2090650</u>
49	<u>SHRINK TUBE-1/4OD X 1-3/4 - 2375400</u>
50	<u>Minn Kota Trolling Motor Part Not Available</u>
51	<u>BATTERY METER, 12V, FW w/INSTR - 2884070</u>
52	<u>SPEED NUT-(865 COMPASS) - 2303120</u>
53	<u>CONTROL BOX/COLLAR KIT - 2772593</u>
54	<u>CONTROL BOX/COLLAR KIT - 2772592</u>
55	<u>CONTROL BOX COVER BLACK - 2260290</u>
56	<u>DECAL-COVER (GENERIC) - 2345601</u>
57	<u>HANDLE ASSY W/O U-JOINT - 2990914</u>
58	<u>HANDLE-BEARING-TILLER - 2060000</u>
59	<u>SPRING-DETENT(OFF) (SS) - 2302742</u>
60	<u>SPRING-DETENT(HANDLE-TILT - 2302743</u>
61	<u>SPRING-RELEASE BUTTON (SS - 2302745</u>
62	<u>RELEASE BUTTON-HANDLE - 2303720</u>

63	<u>HANDLE (TOP HALF)MAXIMIZE - 2060409</u>
64	<u>HANDLE (LOWER HALF) - 2060415</u>
65	<u>SCREW-6-20 X 5/8 SELF TAP - 2303412</u>
66	<u>BEARING-HANDLE PIVOT - 2060005</u>
67	<u>Minn Kota Trolling Motor Part Not Available</u>
68	<u>ACTUATOR-CAM - 2302850</u>
69	<u>ACTUATOR-FWD/REV - 2302851</u>
70	<u>SPRING-(ACTUATOR) - 2302740</u>
71	<u>SPRING-CAM(ZNC PLTD STEEL - 2302741</u>
72	<u>CONTROL BRD/HANDLE ASSY-MAX/HC- 12V - 2774002</u>
73	<u>WASHER-INSUL.(TRANSF.BAR) - 2301710</u>
74	<u>Minn Kota Trolling Motor Part Not Available</u>
75	<u>SCREW-8-18 X 5/8 THD* (SS - 2372100</u>
76	<u>SCREW-8-18 X 1/2 (SS)* - 2301310</u>
77	<u>CONNECT'GROUND WIRE-FUSED - 2060310</u>
78	<u>TIE WRAP-5.5" BLACK - 2256300</u>
79	<u>BRUSH PLATE ASSY, 4" - 409402</u>
80	<u>BRUSH PLATE ASSY, 4" - 409402</u>